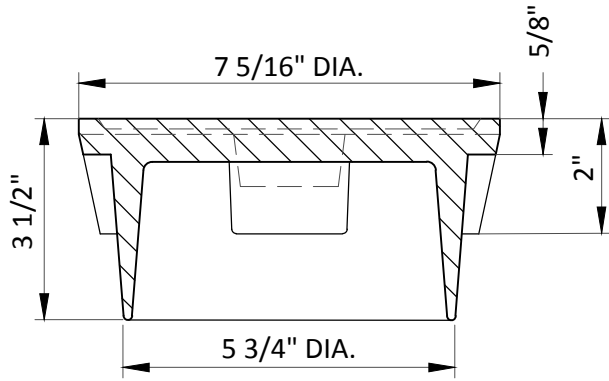
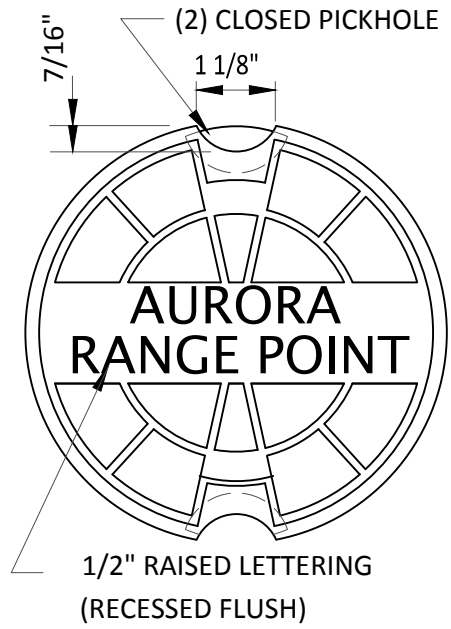


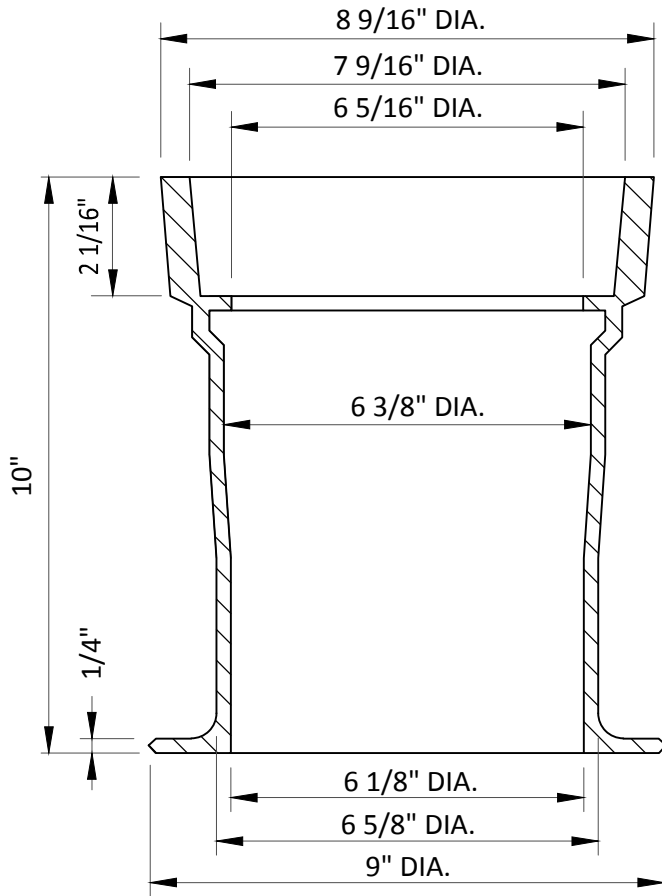
STANDARD



LID SIDE



LID TOP



BOX

n:\pwr\craft\standard\roadway\s-series details\s21.1.dwg 10 April 2017

City of Aurora, Colorado

CITY OF AURORA RANGE
BOX SPEC.'S

S21.1

CITY ENGINEER

DATE